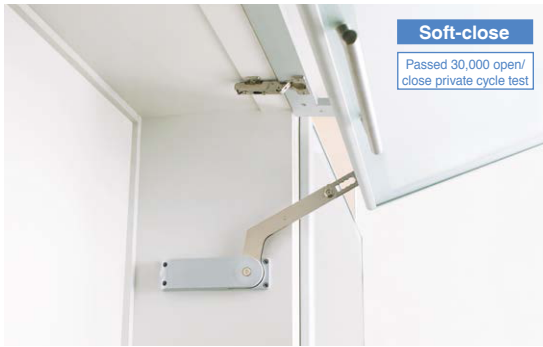


HORIZONTAL BI-FOLDING UNIT GS-HBFN



Opening Direction	Item Name	Description	Door Width	Door Height	Door Thickness	Door Weight
Bi-folding	GS-HBFN-(2~4)M	Soft-close	450~900	320~370	17~20	2.5 ~ 5.5 kg
	GS-HBFN-(3~7)L			370~420		2.5 ~ 6.5 kg

- Patented Lapcon mechanism controls door closing softly and smoothly.
- Designed to hold the door in closed and opened position.
- Mounting plates (sold separately) suitable for 20mm and 45mm aluminium frames are available.

[Specifications]

- Operating temperature: 5°C~35°C

[Remarks]

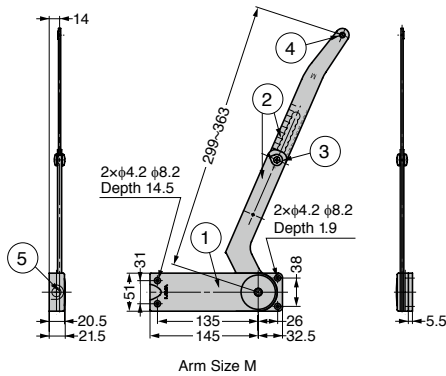
- Be sure to read the "Cautions"
- 1 set of stays needs 1 set of mounting plates (sold separately).
- Hinges used for installing door to cabinet are not included. Customer should provide concealed hinges (overlay type, opening angle 105°).
- Two offset hinges used for connecting upper door and lower door are included. Order additionally if door width exceeds 600mm.
- For easy door opening, recommended to install the handle above the centre of the lower door mounting plate.

[Parts Included]

- Offset hinge GS-HBFN-CH (2 pcs)
- Binding head tapping screw 3.5× 15

[Sold Separately]

- Mounting plate GS-HBFN-SZ, GS-HBFN-AZ-S



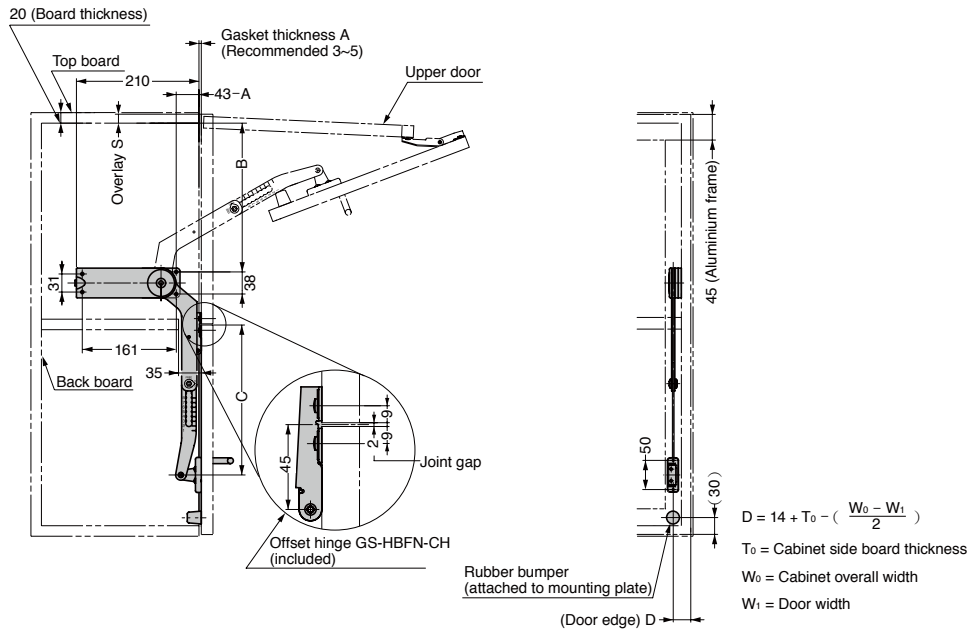
No.	Part Name	Material	Finish/Colour
①	Body	ABS	-
②	Arm	Steel (SPCC)	Nickel
③	Adjustment Dial	Zinc Alloy (ZDC)	Natural
④	Sleeve	POM	Tin Cobalt Plating
⑤	Adjustment screw	Steel (SWCH)	

[Body] 1 pair ※ Values below are only for 1 door. 2 doors are necessary for 1 cabinet.

Item Name	Arm Size	Door Width	Door Height	Door Thickness	Door Weight kg	θ	L	t	Weight (g)
GS-HBFN-2M	M	450~900	320~370	17~20	2.5~3.5	171°	299~363	14	1500
GS-HBFN-3M					3.5~4.5				1500
GS-HBFN-4M					4.5~5.5				1600

[Installation]

※Dimensions for door with gasket shown. Without gasket, shift main body installation position towards back panel side by gasket thickness A.



[Installation Dimensions]

Arm Size	Door Height	Upper Opening Angle 90°			Upper Opening Angle 105°		
		Arm Adjustment Position	B	C	Arm Adjustment Position	B	C
M	320	1	247-S	241	4	226-S	244
	330	2	252-S	244	5	234-S	250
	340	3	258-S	248	6	243-S	257
	350	4	263-S	251	7	251-S	263
	360	5	269-S	255	8	259-S	269
	370	6	274-S	258	9	267-S	275